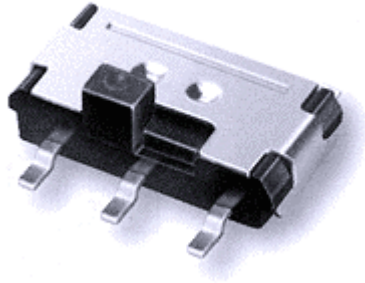


SMD TYPE SWITCHES | SLIDE SWITCHES



[1390]

Typical Specifications

1. Rating : DC 4V 0.3A
 2. Circuit : 2C-2P
 3. TIMING : NON_SHORTING
 4. Travel : 1.5 ± 1.5
 5. Operating Force : 200 ± 150 gf
 6. Operating Life : 10,000 Cycles
- ▶ 1390A : (L) 1.00mm
 - ▶ 1390B : (L) 2.00mm

PART	MATERIAL
TERMINAL	BRASS
CASE	ARLEN
CLIP	PHOSPHOR-BRONZE
KNOB	NYLON 46
SPRING PLATE	PHOSPHOR-BRONZE
COVER	STAINLESS-STEEL

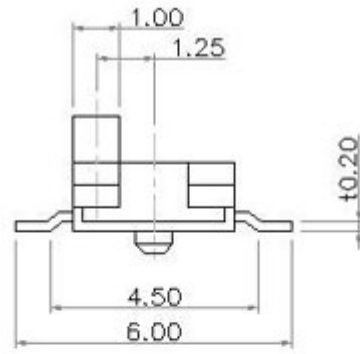
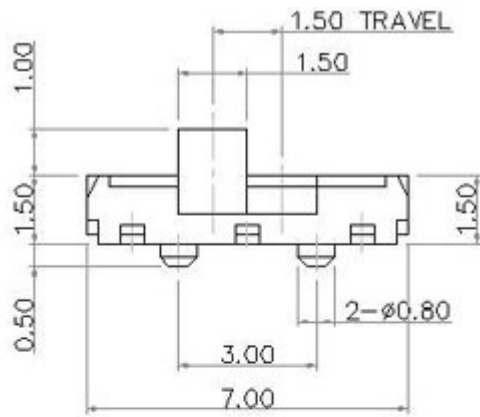
Features

- ▶ thin type 1.5mm in height
- ▶ SMT type and reflow-soldering for Surface mounting
- ▶ Available for tape and reel package

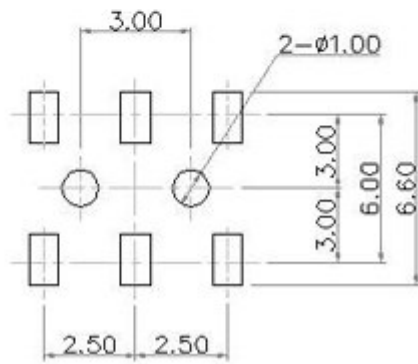
Application

Function and band selector switches for headphone stereo sets, liquid-crystal TV sets, car radios, camera VCRs, memory cards, etc

OUTLINE DRAWING



P.C.B LAND PATTERN



CIRCUIT DIAGRAM

