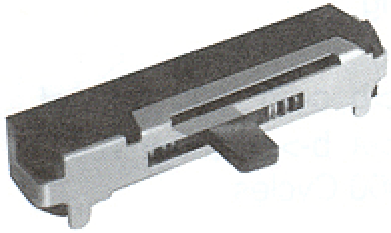


## SMD TYPE SWITCHES | SLIDE SWITCHES



[1370 R-2]

### Typical Specifications

1. Rating : DC 4V, 0.3A
2. Circuit : 1C-3P
3. TIMING : NON-SHORTING
4. Travel : 2mm
5. Operating Force
  - b→a, b→c : 200(+50/-100)gf
6. Operating Life : 10,000 Cycles

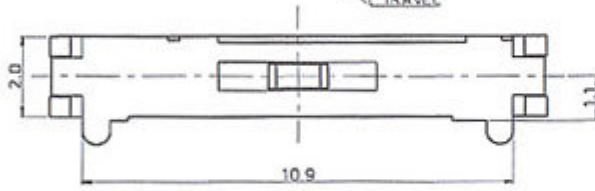
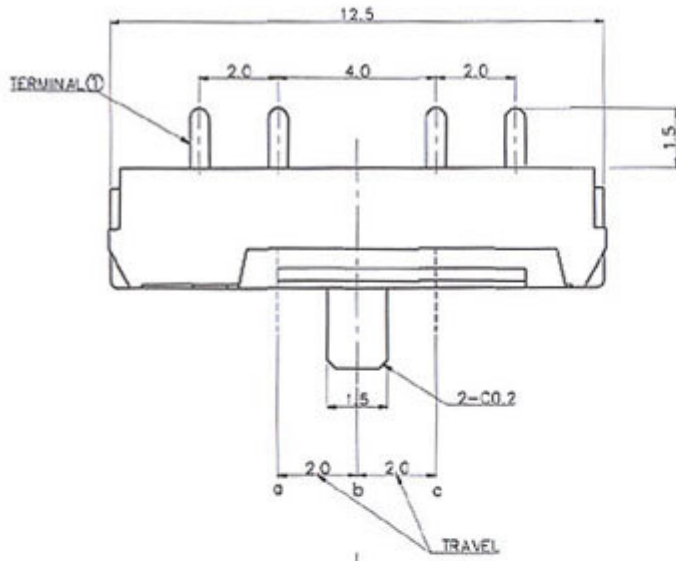
### Features

- ▶ 2mm travel.
- ▶ Recoil type also available.
- ▶ Reflow-soldering type also available.

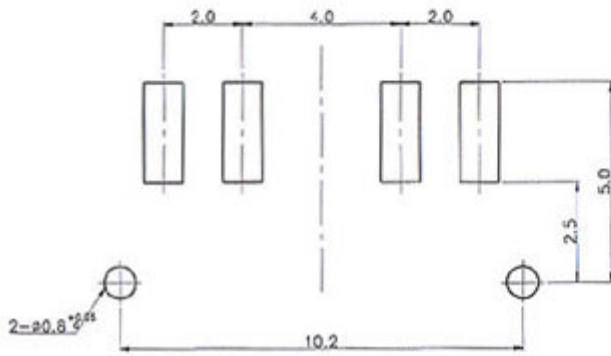
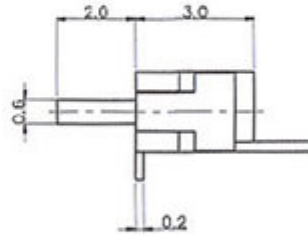
### Application

- ▶ Function and band selector switches for headphone stereo sets, liquid-crystal TV sets, car radios, camera, VCRs, memory cards, etc.

# OUTLINE DRAWING



**P.C.B LAND PATTERN**



**CIRCUIT DIAGRAM**

