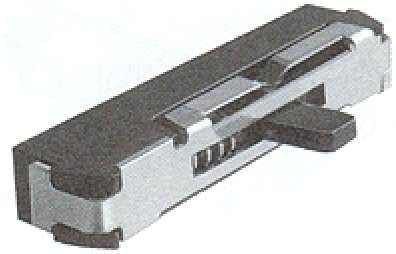


HORIZONTAL TYPE SWITCHES | SLIDE SWITCHES



[1370 HR-1]

Typical Specifications

1. Rating : DC 4V, 0.3A
2. Circuit : 1C-3P
3. TIMING : NON-SHORTING
4. Travel : 2mm
5. Operating Force
 - b→c : 250 ± 100 gf
 - c→b : 200 ± 100 gf
 - b→a : $200(+50/-100)$ gf
6. Operating Life : 10,000 Cycles

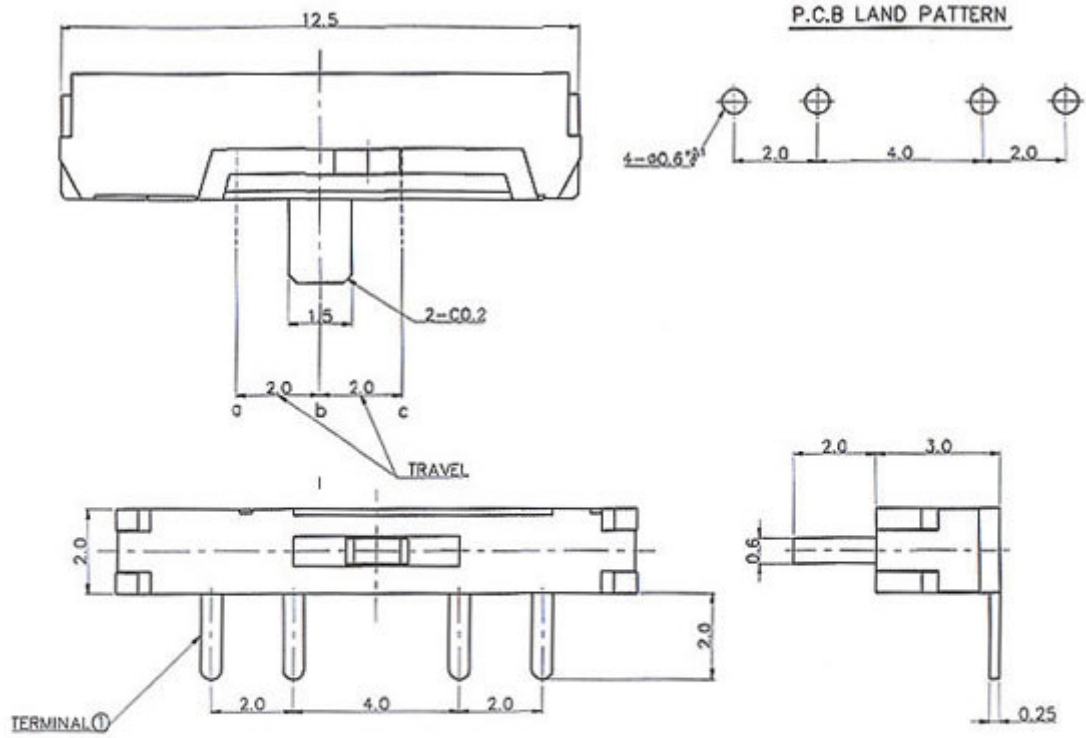
Features

- ▶ 2mm travel.
- ▶ Recoil type also available.
- ▶ Reflow-soldering type also available.

Application

- ▶ Function and band selector switches for headphone stereo sets, liquid-crystal TV sets, car radios, camera, VCRs, memory cards, etc.

OUTLINE DRAWING



CIRCUIT DIAGRAM

