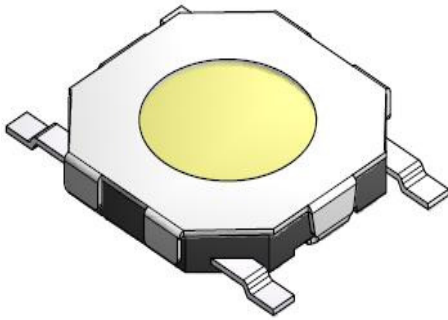


SMD TYPE SWITCHES | TACT SWITCHES

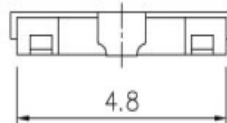
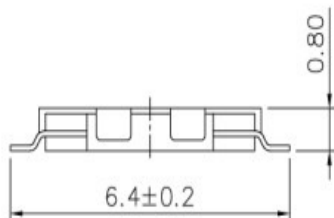
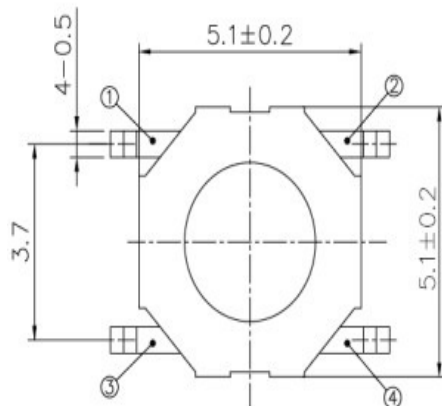
[1187M]



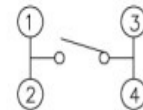
Typical Specifications

1. Rating : DC12V 50mA
2. Travel : 0.2 ± 0.1 mm
3. Contact Resistance : 100m Ω Max.
4. Bounce : 10m SEC MAX.
5. Operating Force
 - * 1187M-0 : 110 ± 30 gf [1,000,000Cycle]
 - * 1187M-1 : 130 ± 30 gf [300,000Cycle]
 - * 1187M-2 : 160 ± 50 gf [300,000Cycle]
 - * 1187M-3 : 250 ± 50 gf [100,000Cycle]

OUTLINE DRAWING



CIRCUIT DIAGRAM



P.C.B LAND PATTERN

