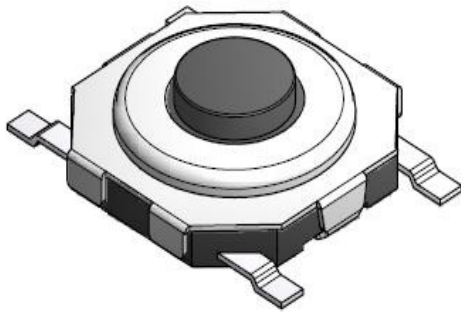


## SMD TYPE SWITCHES | TACT SWITCHES



### [1187]

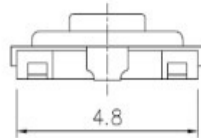
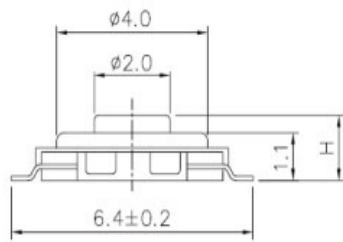
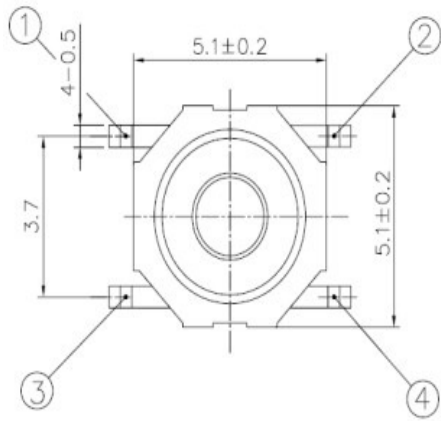
#### Typical Specifications

1. Rating : DC12V 50mA
2. Travel :  $0.2 \pm 0.1$ mm
3. Contact Resistance : 100m $\Omega$ Max.
4. Bounce : 10m SEC MAX.
5. Operating Force
  - \* 1187-0 :  $110 \pm 30$ gf [1,000,000Cycle]
  - \* 1187-1 :  $130 \pm 30$ gf [300,000Cycle]
  - \* 1187-2 :  $160 \pm 50$ gf [300,000Cycle]
  - \* 1187-3 :  $250 \pm 50$ gf [100,000Cycle]

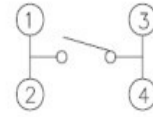
► Stem : Metal, Plastic

| Model No. | STEM, H(mm)                     |
|-----------|---------------------------------|
| 1187      | Plastic (With Dust Cover), 1,65 |
| 1187G     | Metal (With Dust cover), 1,5    |
| 1187A     | Plastic (With Dust cover), 4,3  |

# OUTLINE DRAWING



# CIRCUIT DIAGRAM



# P.C.B LAND PATTERN

