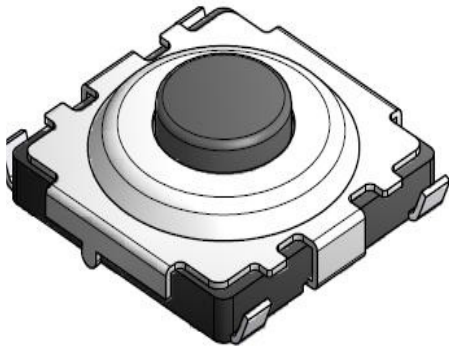


SMD TYPE SWITCHES | TACT SWITCHES

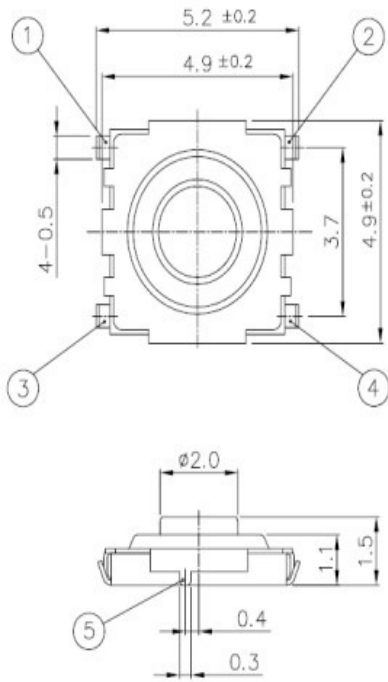
[1186]



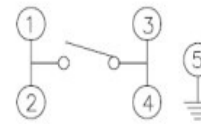
Typical Specifications

1. Rating : DC12V 50mA
2. Travel : 0.2 ± 0.1 mm
3. Contact Resistance : $100\text{m}\Omega$ Max.
4. Bounce : 10m SEC MAX.
5. Operating Force
 - * 1186-1 : 130 ± 30 gf [300,000Cycle]
 - * 1186-2 : 160 ± 50 gf [300,000Cycle]
 - * 1186-3 : 250 ± 50 gf [100,000Cycle]

OUTLINE DRAWING



CIRCUIT DIAGRAM



P.C.B LAND PATTERN

