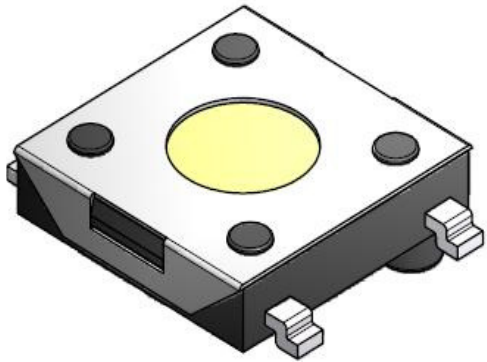


SMD TYPE SWITCHES | TACT SWITCHES



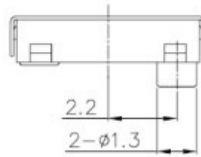
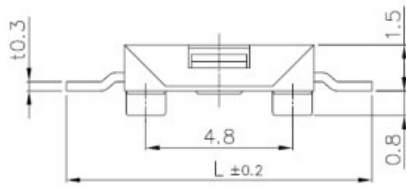
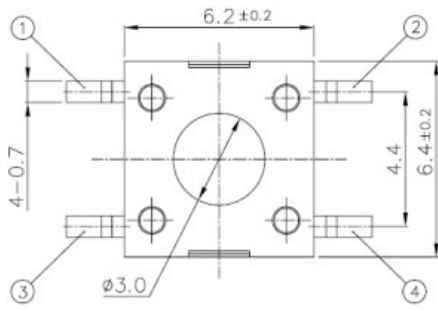
[1137]

Typical Specifications

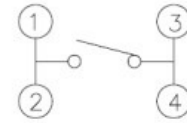
1. Rating : DC12V 50mA
2. Travel : 0.2 ± 0.1 mm
3. Contact Resistance : $50\text{m}\Omega$ Max.
4. Bounce : 10m SEC MAX.
5. Operating Force
 - * 1137-0 : 100 ± 50 gf [80,000Cycle]
 - * 1137-1 : 130 ± 50 gf [80,000Cycle]
 - * 1137-2 : 160 ± 50 gf [80,000Cycle]
 - * 1137-3 : 250 ± 50 gf [50,000Cycle]

Model No.	L (mm)
1137	8,0
1137A	10,0

OUTLINE DRAWING



CIRCUIT DIAGRAM



P.C.B LAND PATTERN

