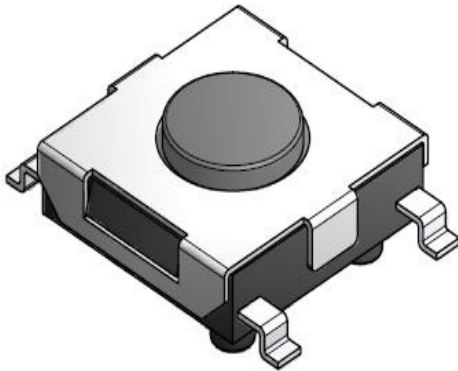


## SMD TYPE SWITCHES | TACT SWITCHES



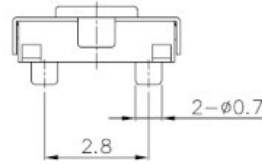
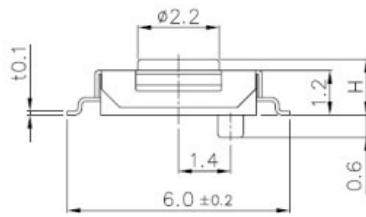
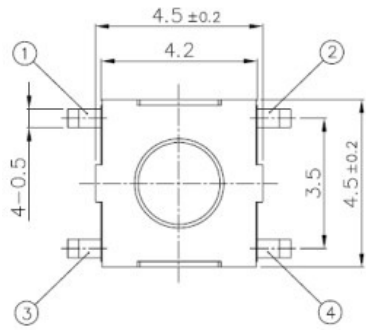
[1127]

### Typical Specifications

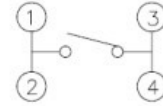
1. Rating : DC12V 50mA
2. Travel :  $0.2 \pm 0.1$ mm
3. Contact Resistance : 100m $\Omega$ Max.
4. Bounce : 10m SEC MAX.
5. Operating Force
  - \* 1127-2 :  $180 \pm 50$ gf [300,000Cycle]
  - \* 1127-3 :  $250 \pm 50$ gf [100,000Cycle]

Model No.	H (mm)
1127	1.5
1127A	4.3

# OUTLINE DRAWING



# CIRCUIT DIAGRAM



# P.C.B LAND PATTERN

