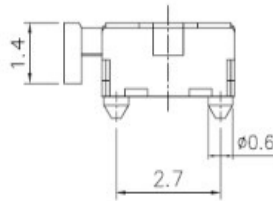
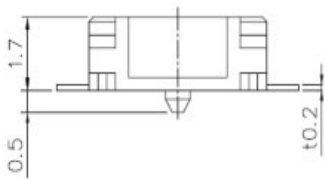
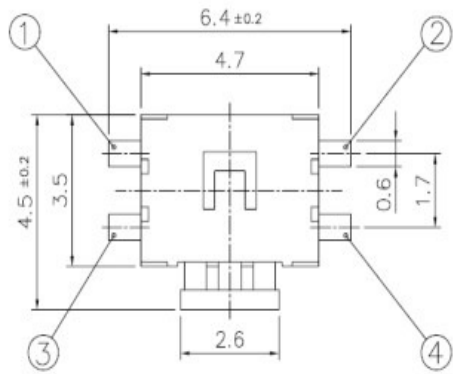


## [1114S]

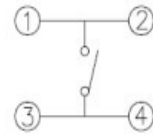
### Typical Specifications

1. Rating : DC12V 50mA
  2. Travel :  $0.3 \pm 0.1$ mm
  3. Contact Resistance : 100m $\Omega$ Max.
  4. Bounce : 10m SEC MAX.
  5. Operating Force
    - \* 1114S-2 :  $180 \pm 50$ gf [100,000Cycle]
    - \* 1114S-3 :  $250 \pm 50$ gf [100,000Cycle]
- ▶ Long life and excellent operation feeling by using a super small-sized round-shaped movable contact
  - ▶ High contact reliability through sealed terminals
  - ▶ High mountability by using u-bent terminals
  - ▶ Available for tape and reel package
  - ▶ Signal input switch for mobile communication equipment, audio visual equipment, office automation equipment

# OUTLINE DRAWING



# CIRCUIT DIAGRAM



# P.C.B MOUNTING HOLES

