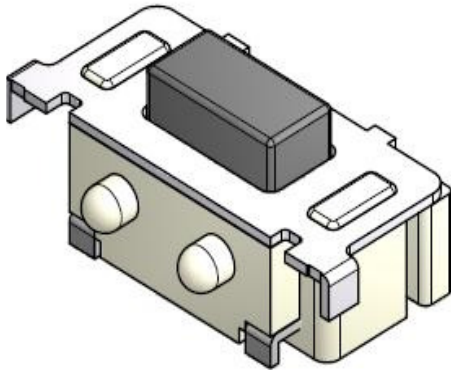


SMD TYPE SWITCHES | TACT SWITCHES

[1112E]

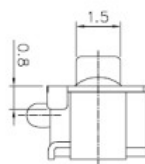
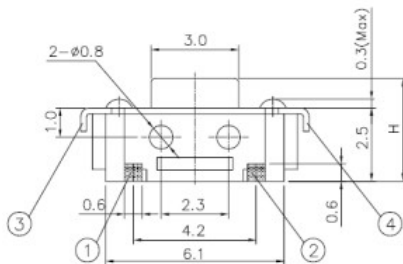
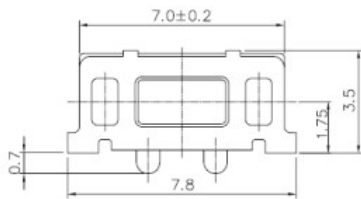


Typical Specifications

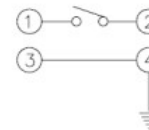
1. Rating : DC12V 50mA
2. Travel : 0.25 ± 0.1 mm
3. Contact Resistance : $100m\Omega$ Max.
4. Bounce : 10m SEC MAX.
5. Operating Force
 - * 1112E-1 : 130 ± 50 gf [50,000Cycle]
 - * 1112E-2 : 180 ± 50 gf [50,000Cycle]
 - * 1112E-3 : 250 ± 50 gf [30,000Cycle]

Model No.	□ M(mm)
1112E	3,4
1112E4A	3,5

OUTLINE DRAWING



CIRCUIT DIAGRAM



P.C.B MOUNTING PATTERN

