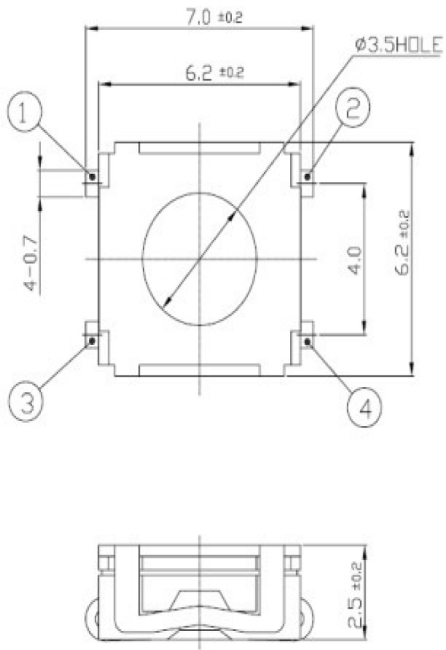


[1110U1]

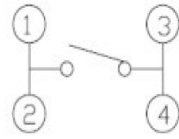
Typical Specifications

1. Rating : DC12V 50mA
 2. Travel : 0.45 ± 0.1 mm
 3. Contact Resistance : $100\text{m}\Omega$ Max.
 4. Bounce : 10m SEC MAX.
 5. Operating Force
 - * 1109U1-2 : 160 ± 50 gf [80,000Cycle]
 - * 1109U1-3 : 100 ± 50 gf [80,000Cycle]
 - * 1109U1-4 : 300 ± 80 gf [50,000Cycle]
- ▶ Positive tactile feedback.
 - ▶ Sealed against flux soldering
 - ▶ Can be delivered either in tubes of 65pcs for automatic insertion, or in boxes of 500pcs for manual insertion
 - ▶ Available with cambered terminal to ensure self-retention on the printed circuit board in manual insertion or automatic insertion machines.
 - ▶ Operating switches in all types of electronic equipment as audio apparatus, office equipment. TV sets, VCRs, heating control system, microwave ovens, etc.

OUTLINE DRAWING



CIRCUIT DIAGRAM



P.C.B LAND PATTERN

