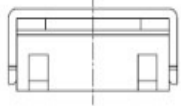
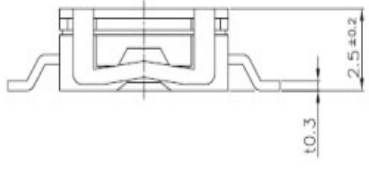
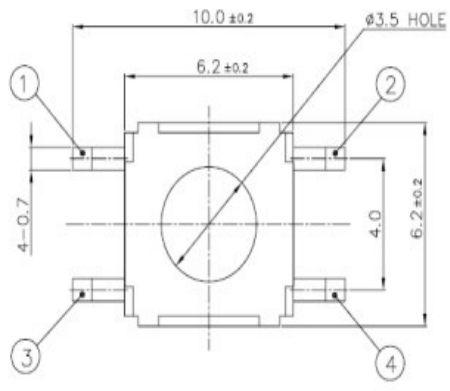


### [1110S1]

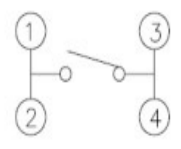
#### Typical Specifications

1. Rating : DC12V 50mA
  2. Travel :  $0.45 \pm 0.1$ mm
  3. Contact Resistance :  $100\text{m}\Omega$ Max.
  4. Bounce : 10m SEC MAX.
  5. Operating Force
    - \* 1109S1-2 :  $160 \pm 50$ gf [50,000Cycle]
    - \* 1109S1-3 :  $250 \pm 50$ gf [30,000Cycle]
- ▶ Positive tactile feedback.
  - ▶ Sealed against flux soldering
  - ▶ Can be delivered either in tubes of 65pcs for automatic insertion, or in boxes of 500pcs for manual insertion
  - ▶ Available with cambered terminal to ensure self-retention on the printed circuit board in manual insertion or automatic insertion machines.
  - ▶ Operating switches in all types of electronic equipment as audio apparatus, office equipment. TV sets, VCRs, heating control system, microwave ovens, etc.

# OUTLINE DRAWING



# CIRCUIT DIAGRAM



# P.C.B LAND PATTERN

