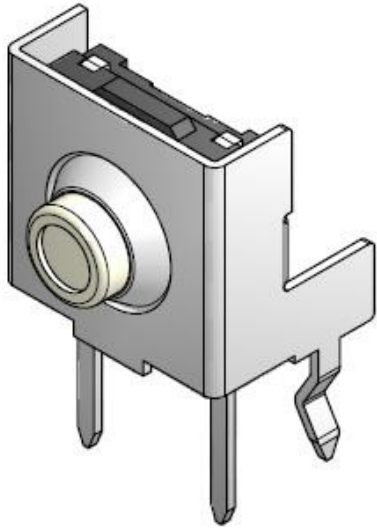


## BULK TYPE SWITCHES | TACT SWITCHES



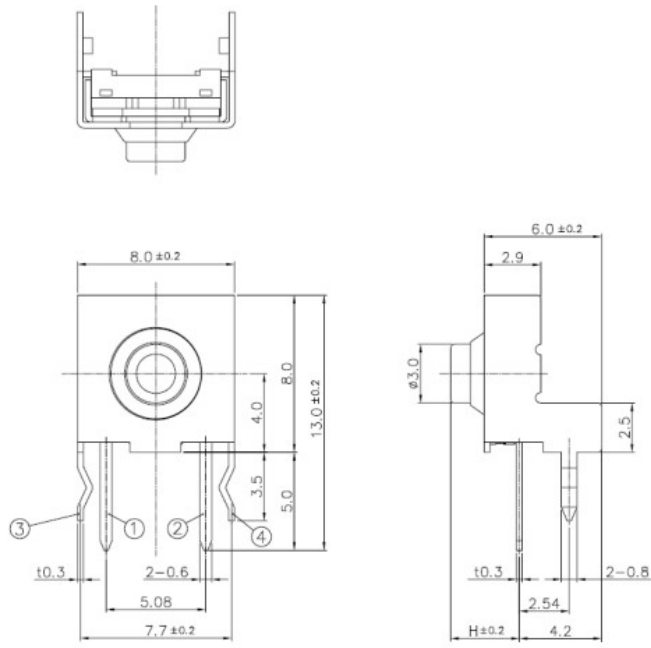
### [1110GV]

#### Typical Specifications

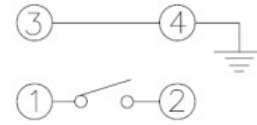
1. Rating : DC12V 50mA
2. Travel :  $0.5 \pm 0.2$ mm
3. Contact Resistance :  $50\text{m}\Omega$ Max.
4. Bounce : 10m SEC MAX.
5. Operating Force
  - \* 1110GV-1 :  $130 \pm 50$ gf [80,000Cycle]
  - \* 1110GV-2 :  $160 \pm 50$ gf [80,000Cycle]
  - \* 1110GV-4 :  $300 \pm 80$ gf [50,000Cycle]
  - \* 1110GV-5 :  $500 \pm 100$ gf [50,000Cycle]

Model No.	H(mm)
1110GVA	4.7
1110GVB	5.2
1110GVC	6.9
1110GVD	10.0

# OUTLINE DRAWING



# CIRCUIT DIAGRAM



# P.C.B MOUNTING HOLES

