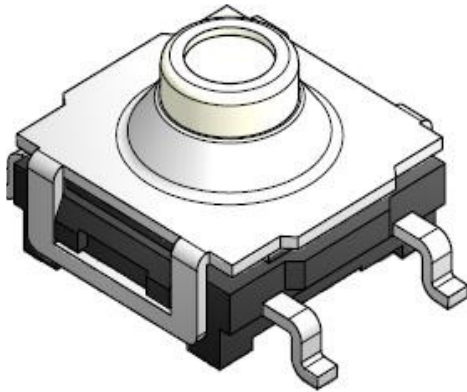


# BULK TYPE SWITCHES | TACT SWITCHES

## [1110GS]

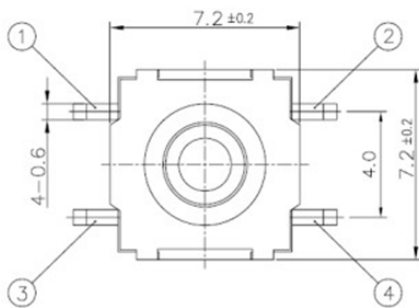


### Typical Specifications

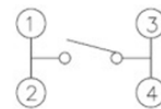
1. Rating : DC12V 50mA
2. Travel :  $0.5 \pm 0.2$ mm
3. Contact Resistance :  $50\text{m}\Omega$ Max.
4. Bounce : 10m SEC MAX.
5. Operating Force
  - \* 1110GS-1 :  $130 \pm 50$ gf [80,000Cycle]
  - \* 1110GS-2 :  $160 \pm 50$ gf [80,000Cycle]
  - \* 1110GS-4 :  $300 \pm 80$ gf [50,000Cycle]
  - \* 1110GS-5 :  $500 \pm 100$ gf [50,000Cycle]

Model No.	H(mm)
1110GSA	4.7
1110GSB	5.2
1110GSC	6.9
1110GSD	10.0

### OUTLINE DRAWING



### CIRCUIT DIAGRAM



### P.C.B MOUNTING HOLES

