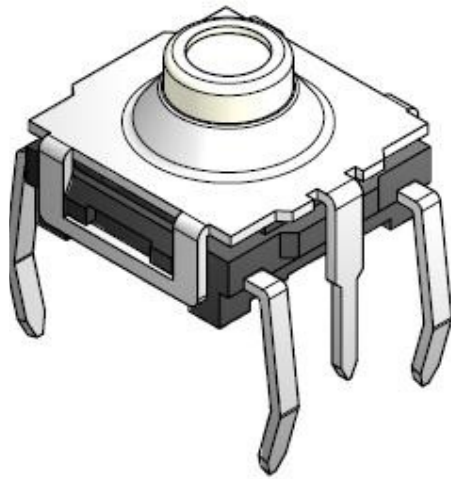


BULK TYPE SWITCHES | TACT SWITCHES



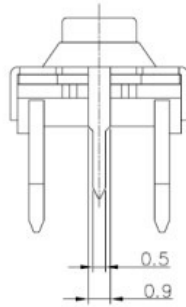
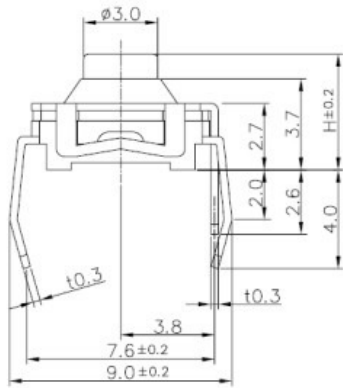
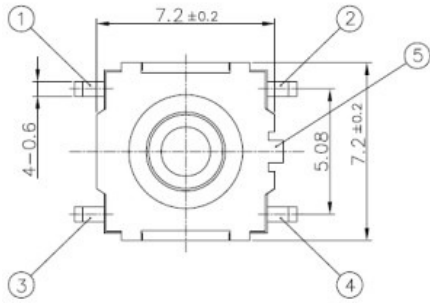
[1110GP]

Typical Specifications

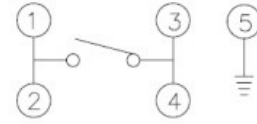
1. Rating : DC12V 50mA
2. Travel : 0.5 ± 0.2 mm
3. Contact Resistance : $50\text{m}\Omega$ Max.
4. Bounce : 10m SEC MAX.
5. Operating Force
 - * 1110GP-1 : 130 ± 50 gf [80,000Cycle]
 - * 1110GP-2 : 160 ± 50 gf [80,000Cycle]
 - * 1110GP-4 : 300 ± 80 gf [50,000Cycle]
 - * 1110GP-5 : 500 ± 100 gf [50,000Cycle]

Model No.	H(mm)
1110GPA	4.7
1110GPB	5.2
1110GPC	6.9
1110GPD	10.0

OUTLINE DRAWING



CIRCUIT DIAGRAM



P.C.B MOUNTING HOLES

