

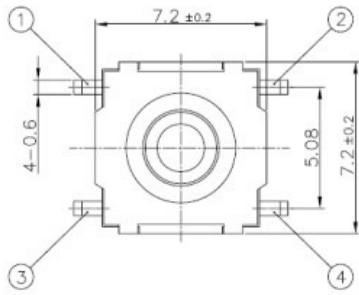
## [1110G]

### Typical Specifications

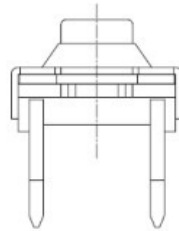
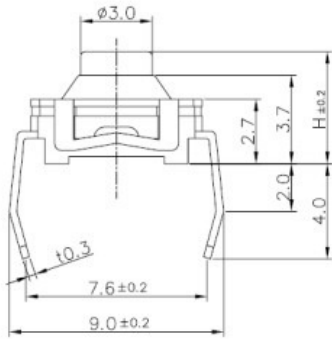
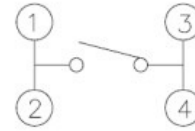
1. Rating : DC12V 50mA
2. Travel :  $0.25 \pm 0.1$ mm
3. Contact Resistance : 100m $\Omega$ Max.
4. Bounce : 10m SEC MAX.
5. Operating Force
  - \* 1110G-1 :  $130 \pm 50$ gf [80,000Cycle]
  - \* 1110G-2 :  $160 \pm 50$ gf [80,000Cycle]
  - \* 1110G-4 :  $300 \pm 80$ gf [50,000Cycle]
  - \* 1110G-5 :  $500 \pm 100$ gf [50,000Cycle]

Model No.	H(mm)
1110GA	4.7
1110GB	5.2
1110GC	6.9
1110GD	10.0

# OUTLINE DRAWING



# CIRCUIT DIAGRAM



# P.C.B MOUNTING HOLES

