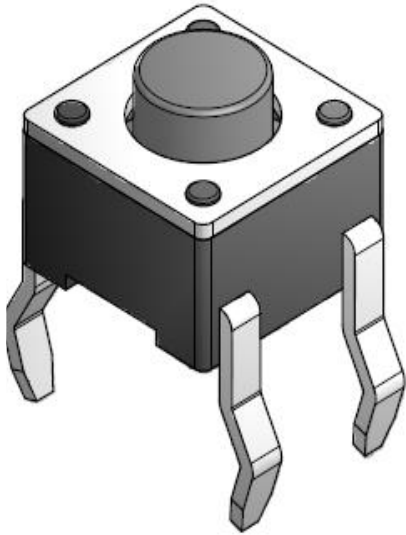


BULK TYPE SWITCHES | TACT SWITCHES

[1109]

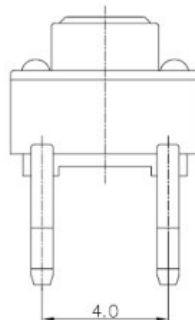
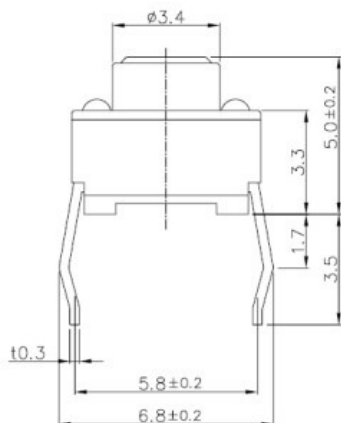
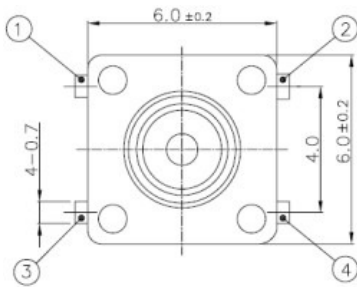


Typical Specifications

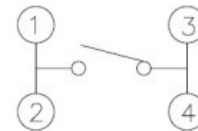
1. Rating : DC12V 50mA
2. Travel : 0.25 ± 0.1 mm
3. Contact Resistance : 100mΩMax.
4. Bounce : 10m SEC MAX.
5. Operating Force
 - * 1109-0 : 100 ± 30 gf [1,000,000Cycle]
 - * 1109-1 : 130 ± 30 gf [500,000Cycle]
 - * 1109-2 : 180 ± 50 gf [100,000Cycle]
 - * 1109-3 : 250 ± 50 gf [100,000Cycle]

Model No.	H(mm)
1109	3.8
1109A	7.0

OUTLINE DRAWING



CIRCUIT DIAGRAM



P.C.B MOUNTING HOLES

