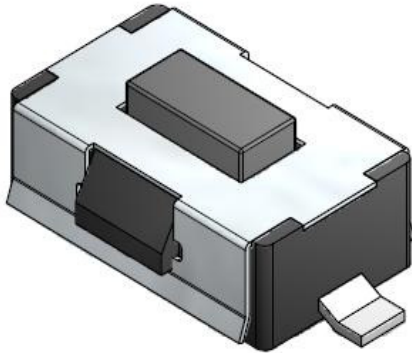


SMD TYPE SWITCHES | TACT SWITCHES

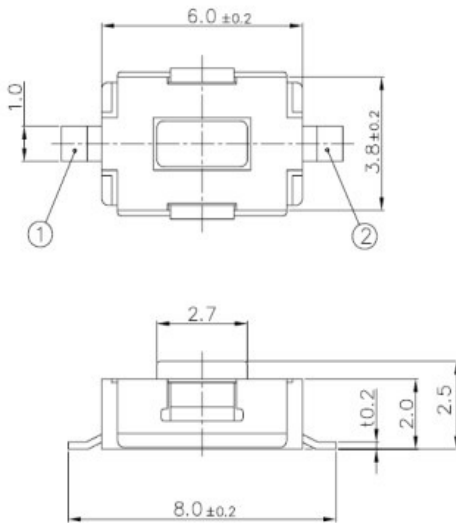
[1107]



Typical Specifications

1. Rating : DC12V 50mA
2. Travel : 0.25 ± 0.1 mm
3. Contact Resistance : 100m Ω Max.
4. Bounce : 10m SEC MAX.
5. Operating Force
 - * 1107-1 : 130 ± 30 gf [50,000Cycle]
 - * 1107-2 : 180 ± 50 gf [50,000Cycle]
 - * 1107-3 : 250 ± 50 gf [30,000Cycle]

OUTLINE DRAWING



CIRCUIT DIAGRAM



P.C.B LAND PATTERN

