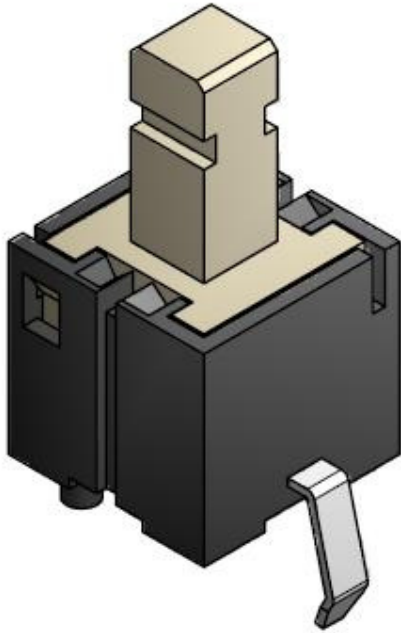


BULK TYPE SWITCHES | TACT SWITCHES

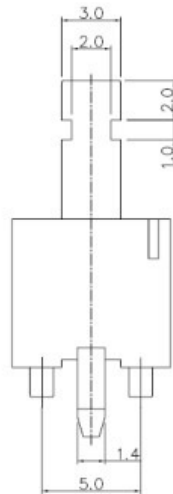
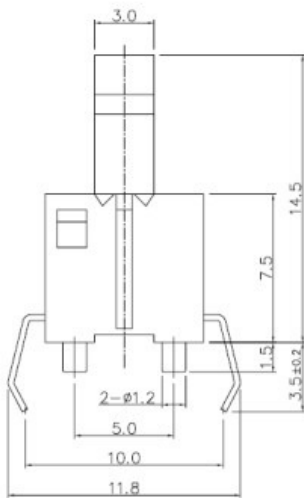
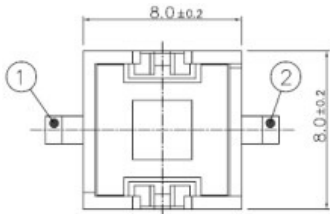
[1105]



Typical Specifications

1. Rating : DC12V 50mA
2. Travel : 0.8 ± 0.2 mm
3. Contact Resistance : $1K\Omega$ Max.
4. Bounce : 20m SEC MAX.
5. Operating Force
 - * 1105 : 130 ± 30 gf [100,000Cycle]

OUTLINE DRAWING



CIRCUIT DIAGRAM



P.C.B MOUNTING HOLES

