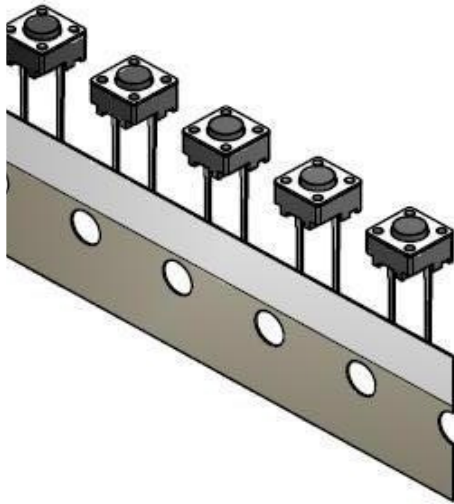


[1104RT]



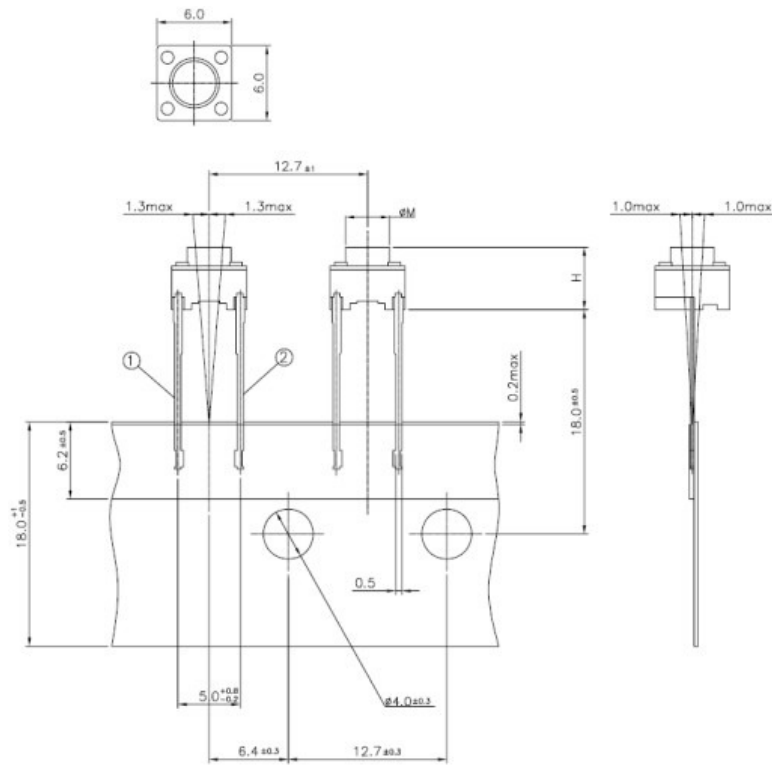
Typical Specifications

1. Rating : DC12V 50mA
2. Travel : 0.25 ± 0.1 mm
3. Contact Resistance : $100\text{m}\Omega$ Max.
4. Bounce : 10m SEC MAX.
5. Operating Force
 - * 1104RT-0 : 100 ± 30 gf [80,000Cycle]
 - * 1104RT-1 : 130 ± 30 gf [80,000Cycle]
 - * 1104RT-2 : 160 ± 50 gf [80,000Cycle]
 - * 1104RT-3 : 250 ± 50 gf [50,000Cycle]
 - * 1104RT-4 : 300 ± 80 gf [50,000Cycle]
 - * 1104RT-5 : 500 ± 100 gf [30,000Cycle]

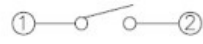
STEM HEIGHT

MODEL	H (mm)	M(ϕ)
1104RT	4.3	3.4
1104RTA	5.0	3.4
1104RTB	7.0	3.4
1104RTC	8.0	3.4
1104RTE	7.3	3.3
1104RTF	12.5	3.3
1104RTK	13.0	3.3
1104RTQ	9.7	2.8
1104RTR	8.5	3.2
1104RTZ	13.0	2.8

OUTLINE DRAWING



CIRCUIT DIAGRAM



P.C.B LAND PATTERN

