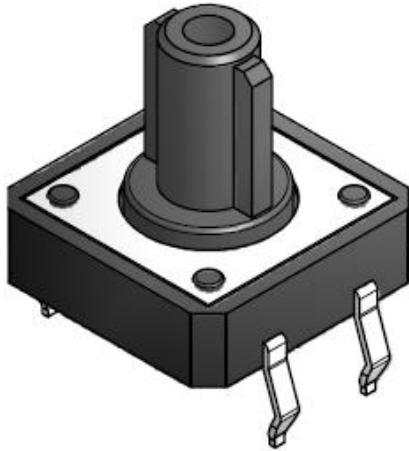


BULK TYPE SWITCHES | TACT SWITCHES

[1103A]

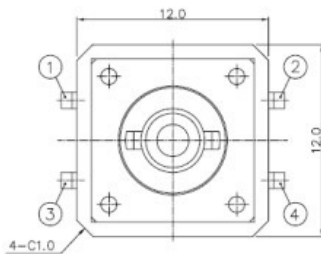


Typical Specifications

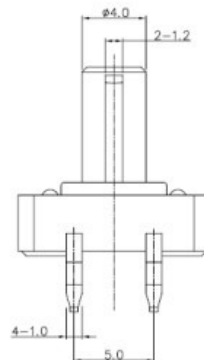
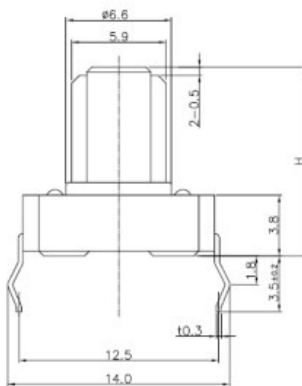
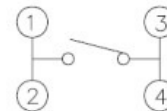
1. Rating : DC12V 50mA
2. Travel : 0.3 ± 0.1 mm
3. Contact Resistance : 100m Ω Max.
4. Bounce : 10m SEC MAX.
5. Operating Force
 - * 1103A-1 : 130 ± 30 gf [80,000Cycle]
 - * 1103A-2 : 180 ± 50 gf [80,000Cycle]
 - * 1103A-3 : 250 ± 50 gf [50,000Cycle]

Model No.	H(mm)
1103A	11.8
1103G	12.0

OUTLINE DRAWING



CIRCUIT DIAGRAM



P.C.B MOUNTING HOLES

