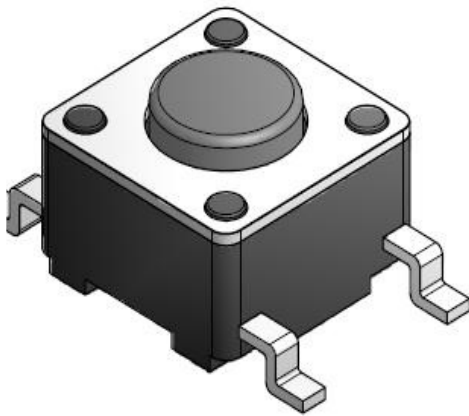


SMD TYPE SWITCHES | TACT SWITCHES

[1102W]

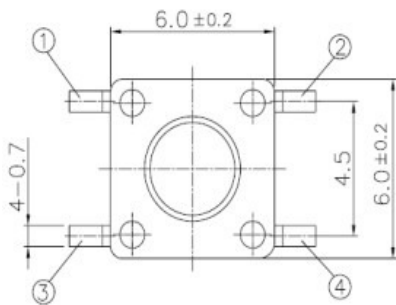


Typical Specifications

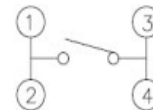
1. Rating : DC12V 50mA
2. Travel : 0.25 ± 0.1 mm
3. Contact Resistance : $100 \text{m}\Omega$ Max.
4. Bounce : 10m SEC MAX.
5. Operating Force
 - * 1102W-0 : 100 ± 30 gf [80,000Cycle]
 - * 1102W-1 : 130 ± 30 gf [80,000Cycle]
 - * 1102W-2 : 160 ± 50 gf [80,000Cycle]
 - * 1102W-3 : 250 ± 50 gf [50,000Cycle]
 - * 1102W-4 : 300 ± 80 gf [50,000Cycle]
 - * 1102W-5 : 500 ± 100 gf [30,000Cycle]

► L : 8.0mm & 9.0mm

OUTLINE DRAWING



CIRCUIT DIAGRAM



P.C.B LAND PATTERN

