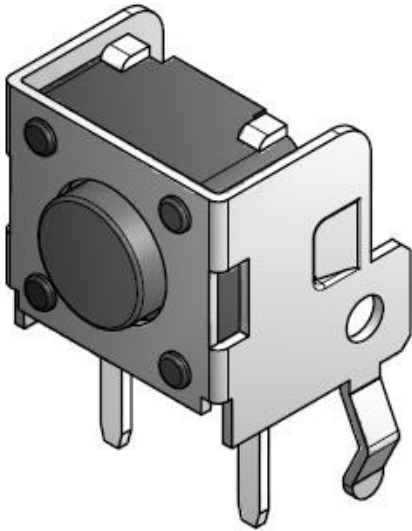


# BULK TYPE SWITCHES | TACT SWITCHES

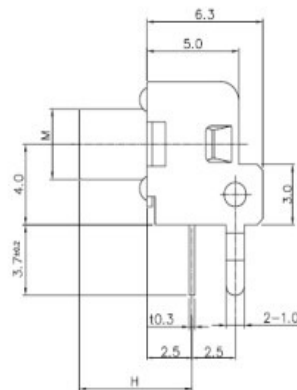
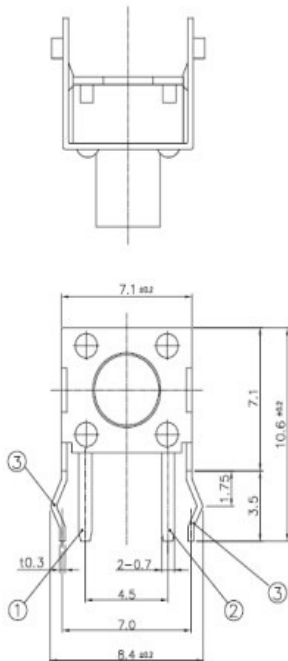
## [1102V]



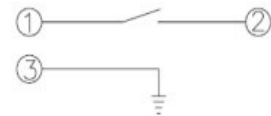
### Typical Specifications

1. Rating : DC12V 50mA
2. Travel :  $0.25 \pm 0.1$ mm
3. Contact Resistance :  $100 \text{m}\Omega$ Max.
4. Bounce : 10m SEC MAX.
5. Operating Force
  - \* 1102V-0 :  $100 \pm 30$ gf [80,000Cycle]
  - \* 1102V-1 :  $130 \pm 30$ gf [80,000Cycle]
  - \* 1102V-2 :  $160 \pm 50$ gf [80,000Cycle]
  - \* 1102V-3 :  $250 \pm 50$ gf [50,000Cycle]
  - \* 1102V-4 :  $350 \pm 80$ gf [50,000Cycle]
  - \* 1102V-5 :  $500 \pm 100$ gf [30,000Cycle]

### OUTLINE DRAWING



### CIRCUIT DIAGRAM



### P.C.B MOUNTING HOLES

