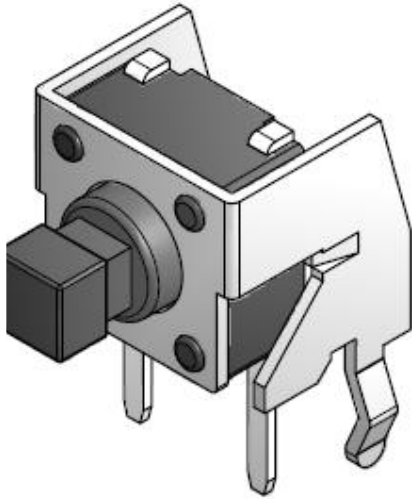


BULK TYPE SWITCHES | TACT SWITCHES

[1102NT]

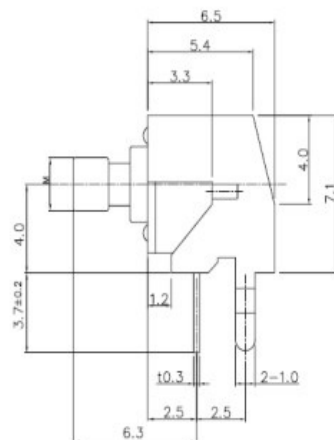
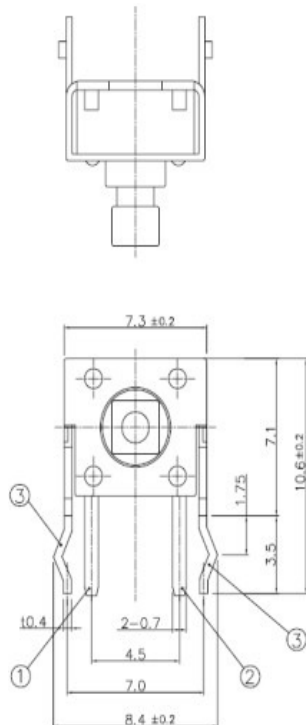


Typical Specifications

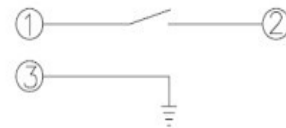
1. Rating : DC12V 50mA
2. Travel : 0.25 ± 0.1 mm
3. Contact Resistance : $100\text{m}\Omega$ Max.
4. Bounce : 10m SEC MAX.
5. Operating Force
 - * 1102NT-0 : 100 ± 30 gf [80,000Cycle]
 - * 1102NT-1 : 130 ± 30 gf [80,000Cycle]
 - * 1102NT-2 : 160 ± 50 gf [80,000Cycle]
 - * 1102NT-3 : 250 ± 50 gf [50,000Cycle]
 - * 1102NT-4 : 350 ± 80 gf [50,000Cycle]
 - * 1102NT-5 : 500 ± 100 gf [30,000Cycle]

Model No.	□ M(mm)
1102NT	2.4
1102NTA	2.8

OUTLINE DRAWING



CIRCUIT DIAGRAM



P.C.B MOUNTING HOLES

